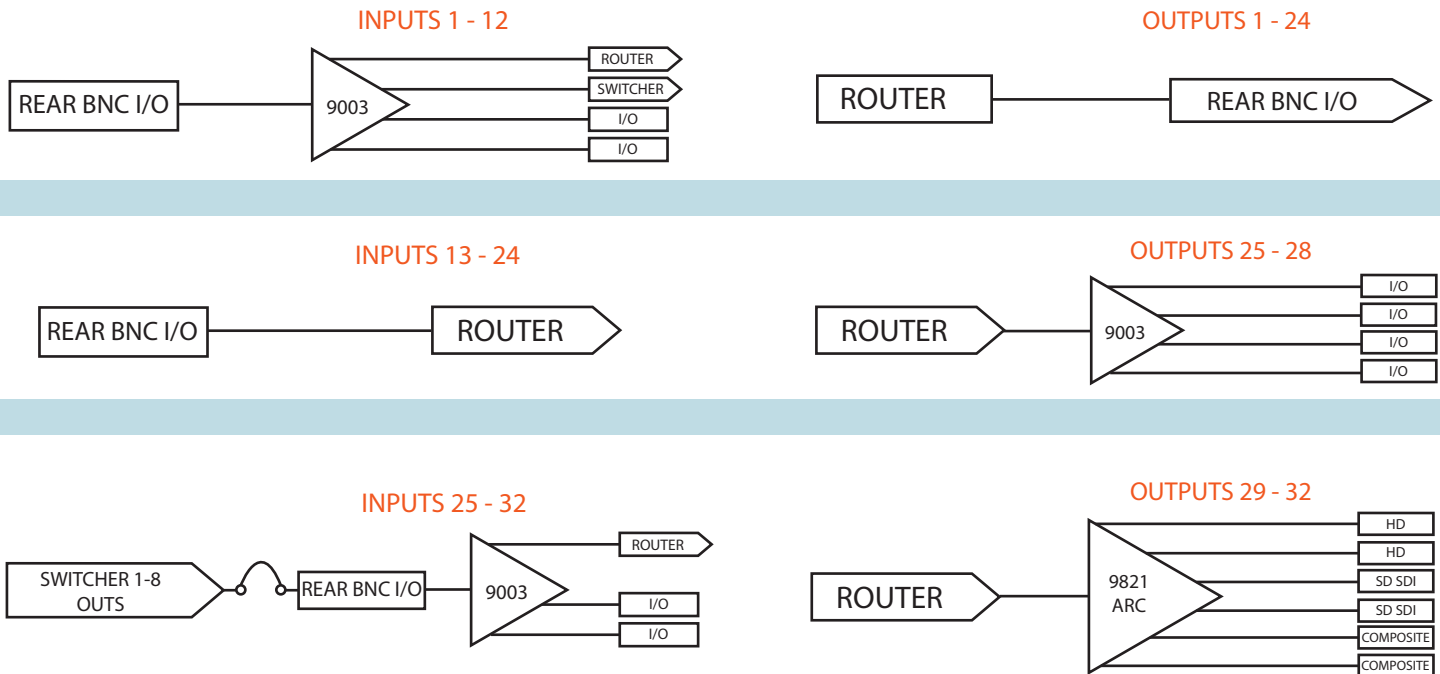




# BLOCK DIAGRAM



# REAR BNC I/O

